**DESCRIPTION:**

Heat Exchanger (oil to water).
For use with B-130H, B-150H, B-160H and
B-180H housings.

PERFORMANCE:

2.0 kW with the following conditions:
1) 2 GPM Water Flow (36°C)

OIL HOSES:

1/2 inch Male NPT

WATER HOSES

Parker-Push-Lok 801-6

POWER REQUIREMENTS:

105 - 125 VAC 50/60 Hz 3.0 Amps

DIMENSIONS:

Width 9.43 inches (240 mm)
Length 12.110 inches (308 mm)
Height 4.100 inches (104 mm)

WEIGHT:

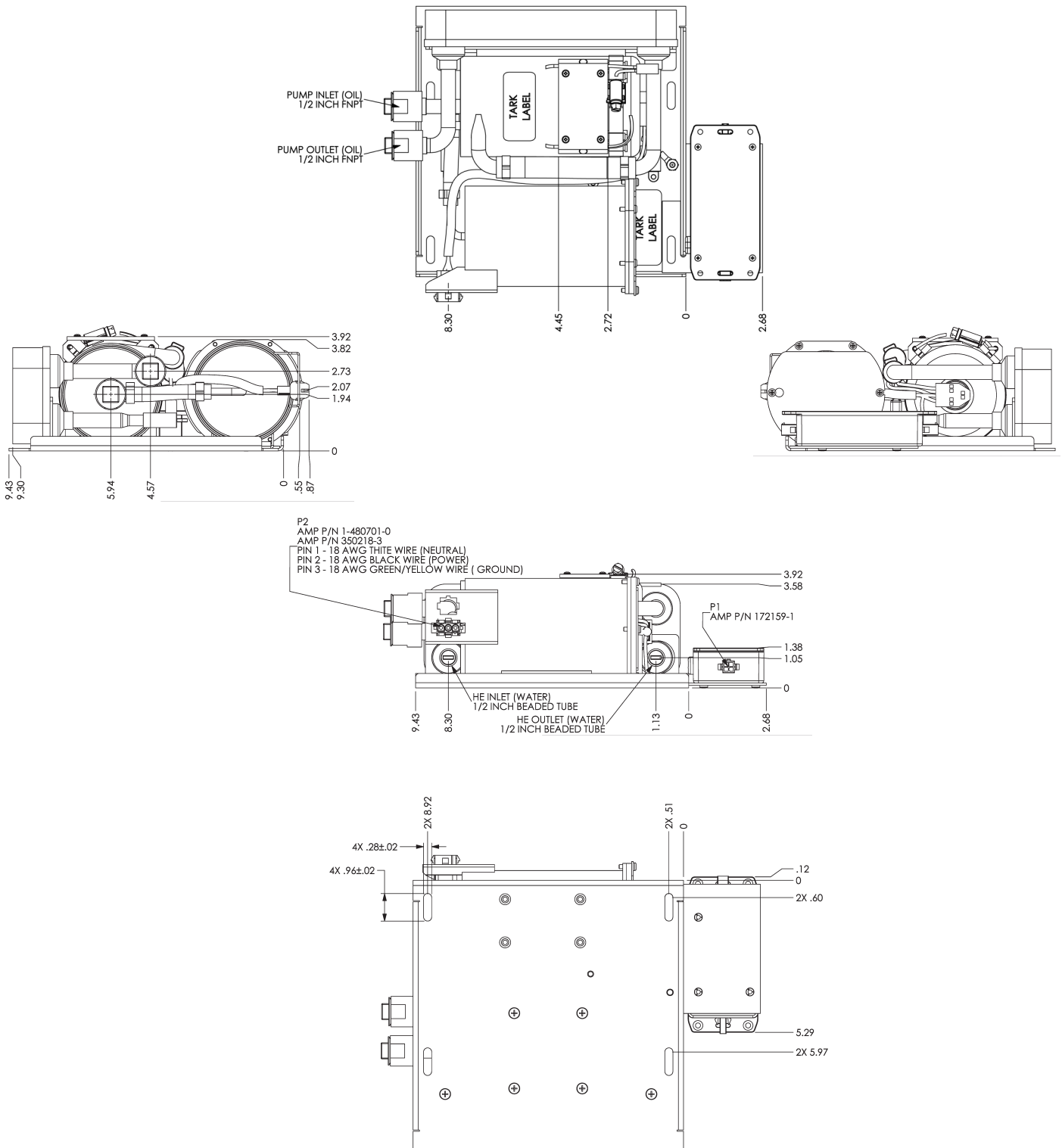
13 lbs. 4 oz dry (6.01 kg)

THERMAL PROTECTION UNIT (TPU):

Switches at 93°C ±3°C
Manual Reset

Outline Drawing

Dimensions are for reference only

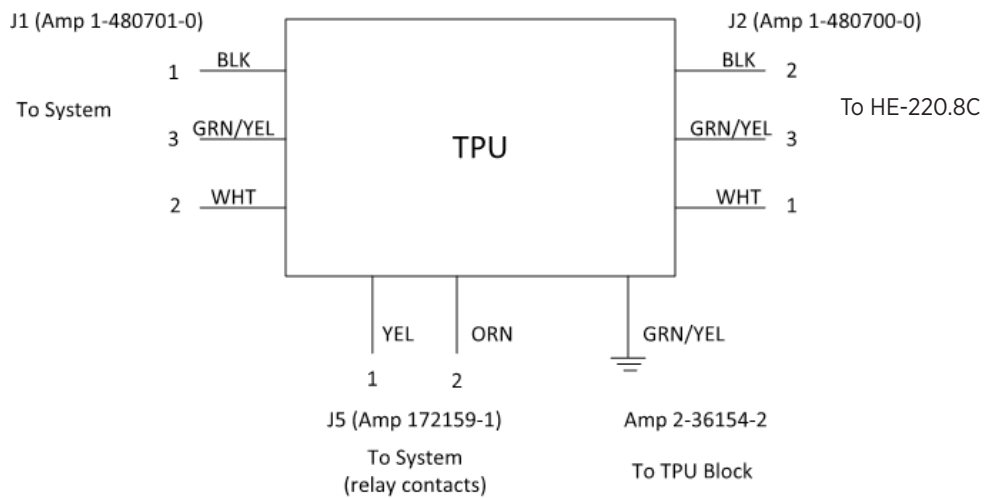
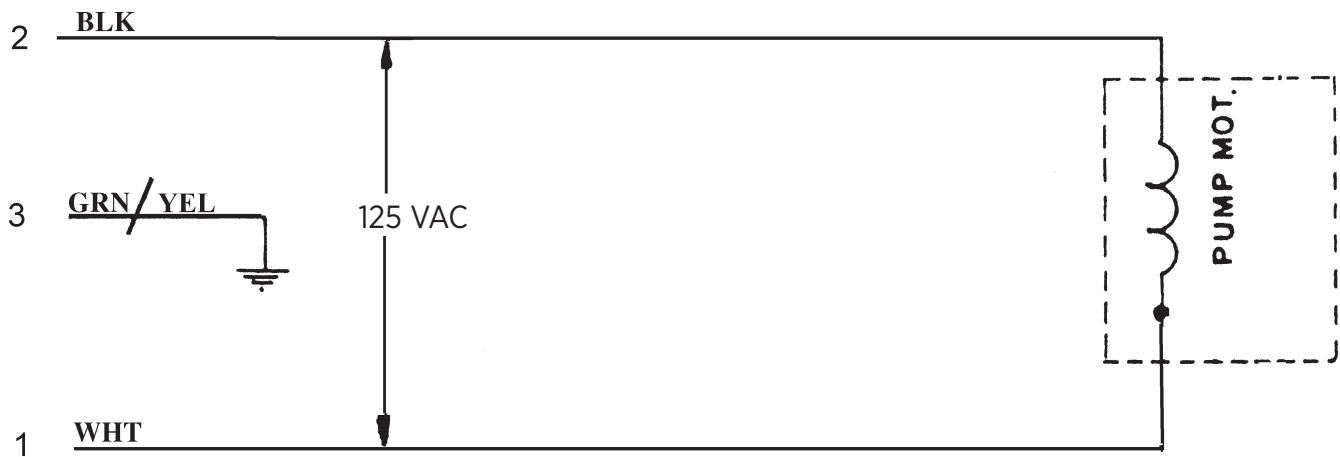


Wiring Diagram

HE-220.8C Rev2

125 VAC 50/60 Hz

J1 (Amp P/N 1-480701-0)



Cooling Characteristics

HE-220.8C REV2

Oil Temp deg C with varying water and oil flows vs. KW at 40 deg C inlet water Temp

