

Heat Exchanger (Oil to Water)  
Installation Information



**DESCRIPTION:**

Heat Exchanger (oil to water).  
For use with B-130H, B-150H, B-160H and B-180H housings.

**PERFORMANCE:**

2.0 kW with the following conditions:  
1) 2 GPM Water Flow (36°C)

**OIL HOSES:**

1/2 inch Male NPT

**WATER HOSES**

Parker-Push-Lok 801-6

**POWER REQUIREMENTS:**

100 - 120 VAC 50/60 Hz 2.0 Amps

**DIMENSIONS:**

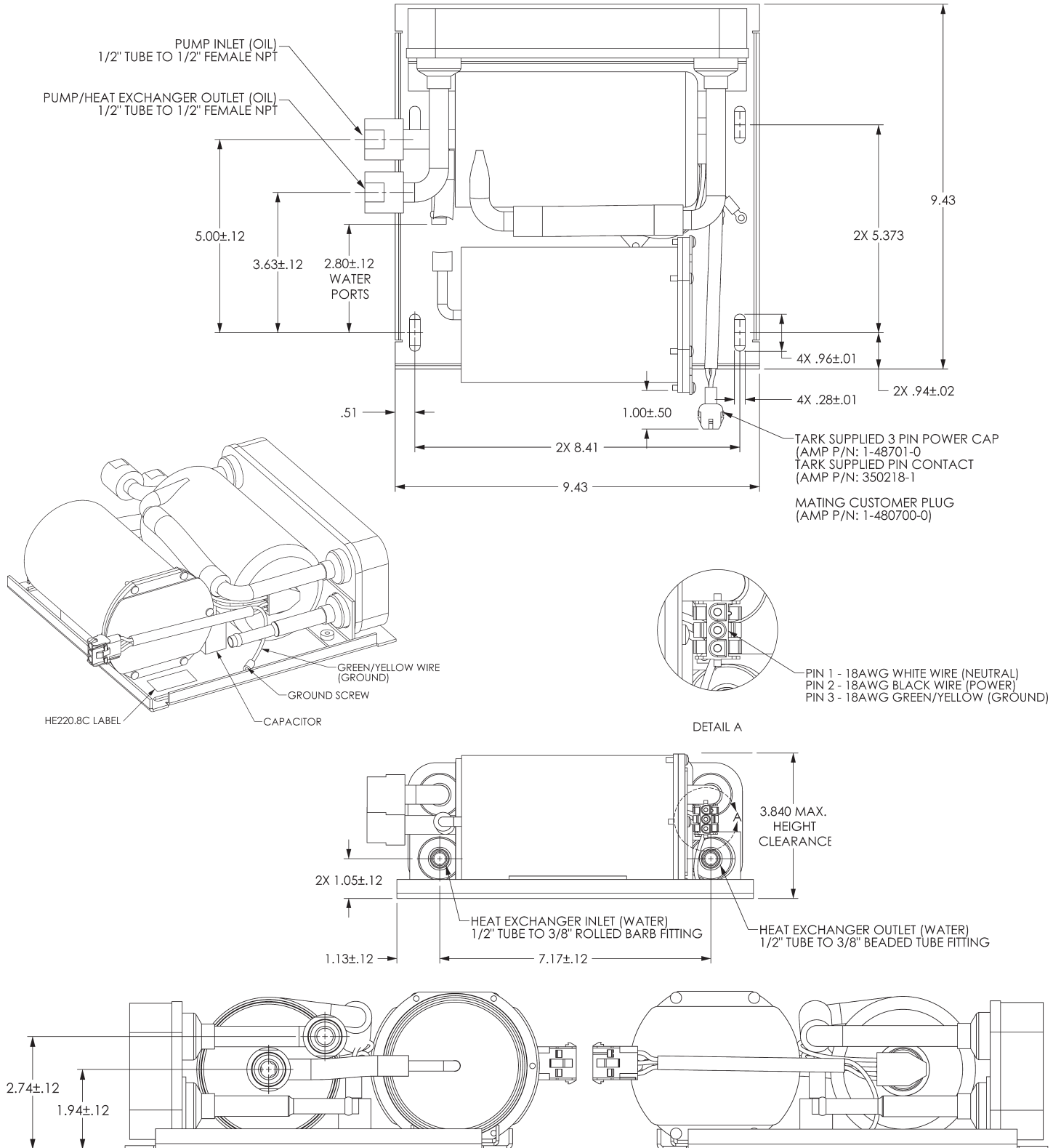
Width 9.43 inches (240 mm)  
Length 9.43 inches (240 mm)  
Height 3.83 inches (97 mm)

**WEIGHT:**

13 lbs. 4 oz dry (6.01 kg)

### Outline Drawing

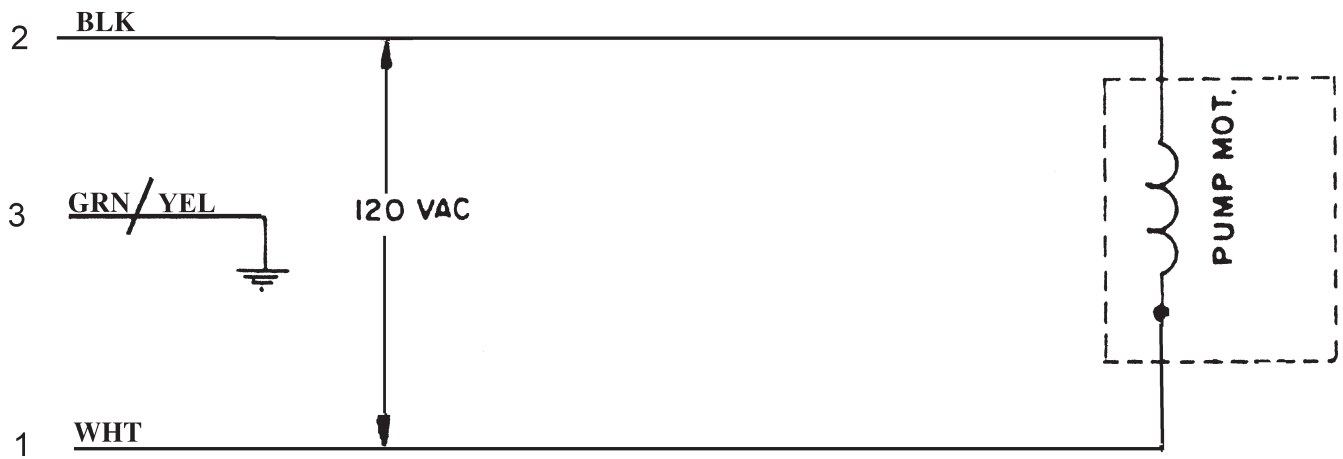
Dimensions are for reference only



**Wiring Diagram**

**HE-220**  
120 VAC 50/60 Hz

J1 (Amp P/N 1-480701-0)



### Cooling Characteristics

## HE-220

Oil Temp deg C with varying water and oil flows vs. KW at 40 deg C inlet water Temp

