

DESCRIPTION:

Heat Exchanger (oil to water).
For use with B-130H, B-150H, B-160H and
B-180H housings.

PERFORMANCE:

2.0 kW with the following conditions:

- 1) 2 GPM Water Flow (36°C)

OIL HOSES:

1/2 inch Male NPT

WATER HOSES

Parker-Push-Lok 801-6

POWER REQUIREMENTS:

105 - 125 VAC 50/60 Hz 3.0 Amps

DIMENSIONS:

Width 9.980 inches (253 mm)
Length 9.090 inches (231 mm)
Height 5.210 inches (132 mm)

WEIGHT:

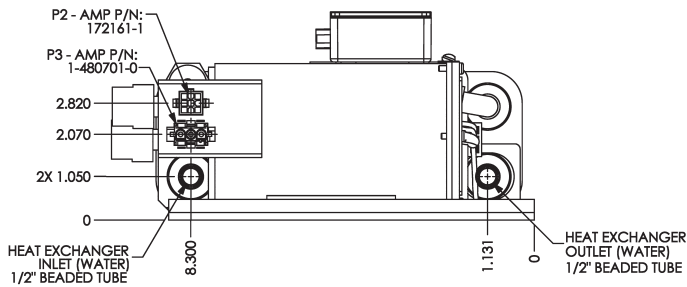
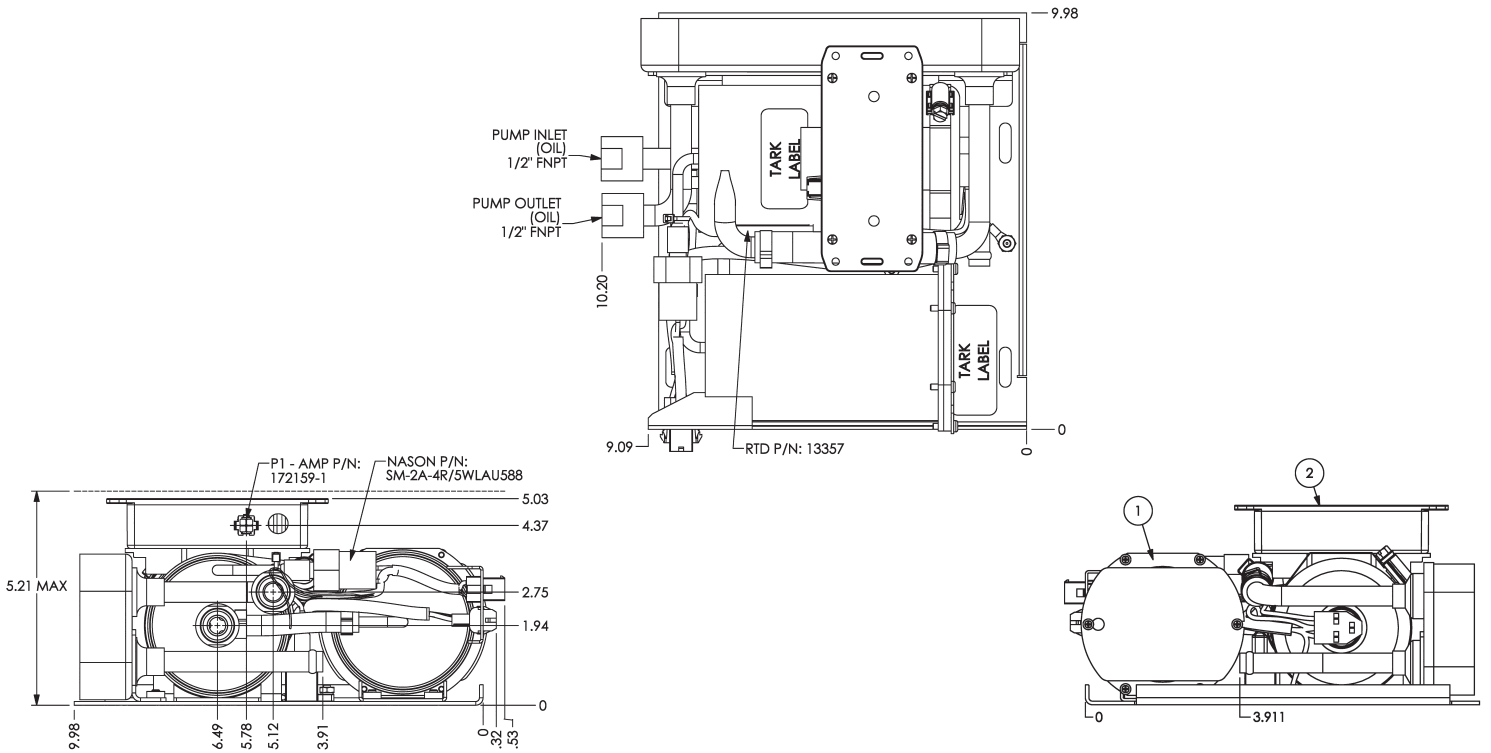
13 lbs. 4 oz dry (6.01 kg)

THERMAL PROTECTION UNIT (TPU):

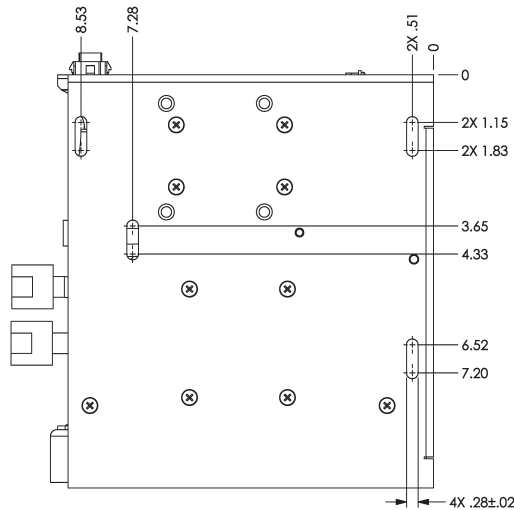
Switches at 95°C ±5°C
Manual Reset

Outline Drawing

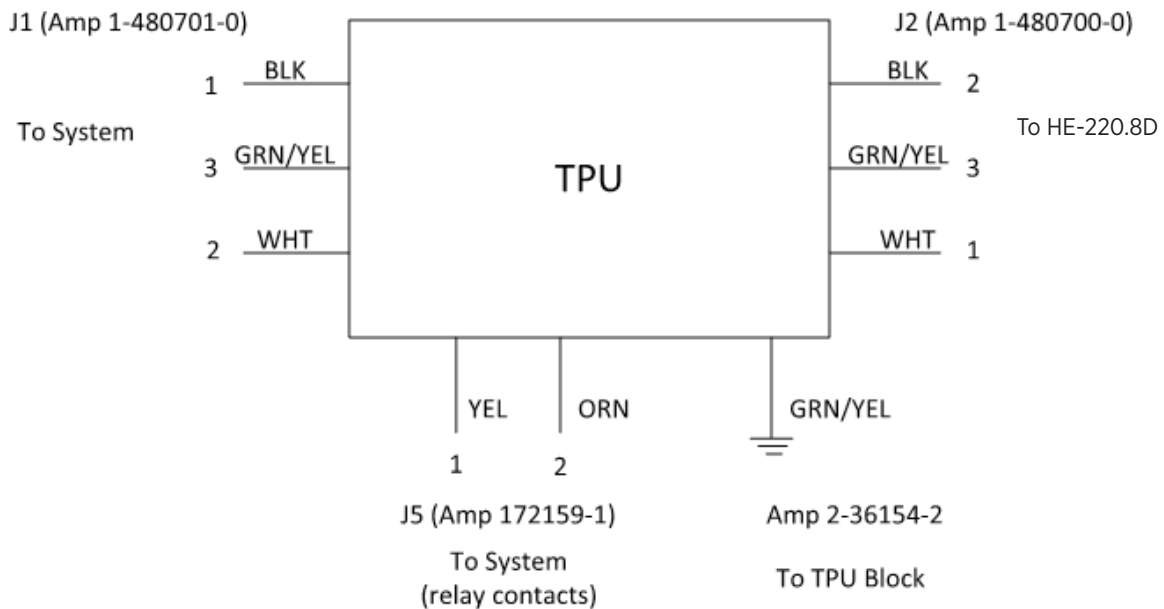
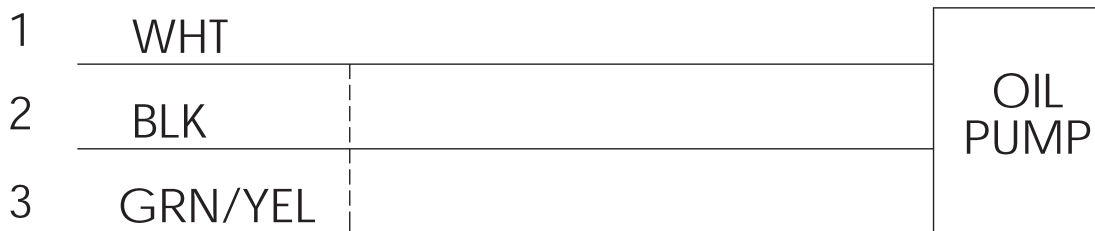
Dimensions are for reference only



PIN	PIN USAGE		
	P1	P2	P3
1	RELAY OUT	PRESSURE SWITCH - (BLACK)	NEUTRAL - (WHITE)
2	RELAY OUT	N/A	POWER - (BLACK)
3	N/A	PRESSURE SWITCH - (RED)	GROUND - (GREEN/YELLOW)
4	N/A	N/A	N/A
5	N/A	N/A	N/A
6	N/A	N/A	N/A
7	N/A	RTD - (WHITE)	N/A
8	N/A	RTD - (WHITE)	N/A
9	N/A	RTD - (RED)	N/A



Wiring Diagram



Cooling Characteristics

HE-220.8D REV2

Oil Temp deg C with varying water and oil flows vs. KW at 40 deg C inlet water Temp

