



DESCRIPTION:

Heat Exchanger (oil to air) with dual fan. For use with B160, B170 and B180 housings.

PERFORMANCE:

3 kW with 50° Delta T (243,000 Hu per minute). Refer to cooling chart for other Delta T ratings.

HOSE LENGTH:

30 inches (76 cm) minimum
40 feet (12.2 meters) maximum

POWER REQUIREMENTS:

HE 300	110 - 120 Vac	50/60 Hz	2.0 Amps
HE 301	220 - 230 Vac	50/60 Hz	1.1 Amps

FAIL SAFE DEVICES:

Flow Switch - normally open contacts.
Contacts closed with adequate oil flow.

DIMENSIONS:

Width - 9.125 inches (232 mm), Length - 16 inches (407 mm), Height - 5.25 inches (134 mm)

WEIGHT:

28 Pounds (12.6 kg)

MOUNTING:

Select mounting location where ambient temperature is low. Connect power cord to source that is energized whenever x-ray tube with heat exchanger is selected. Connect flow switch and thermal switch on housing in series with existing exposure interlocks.

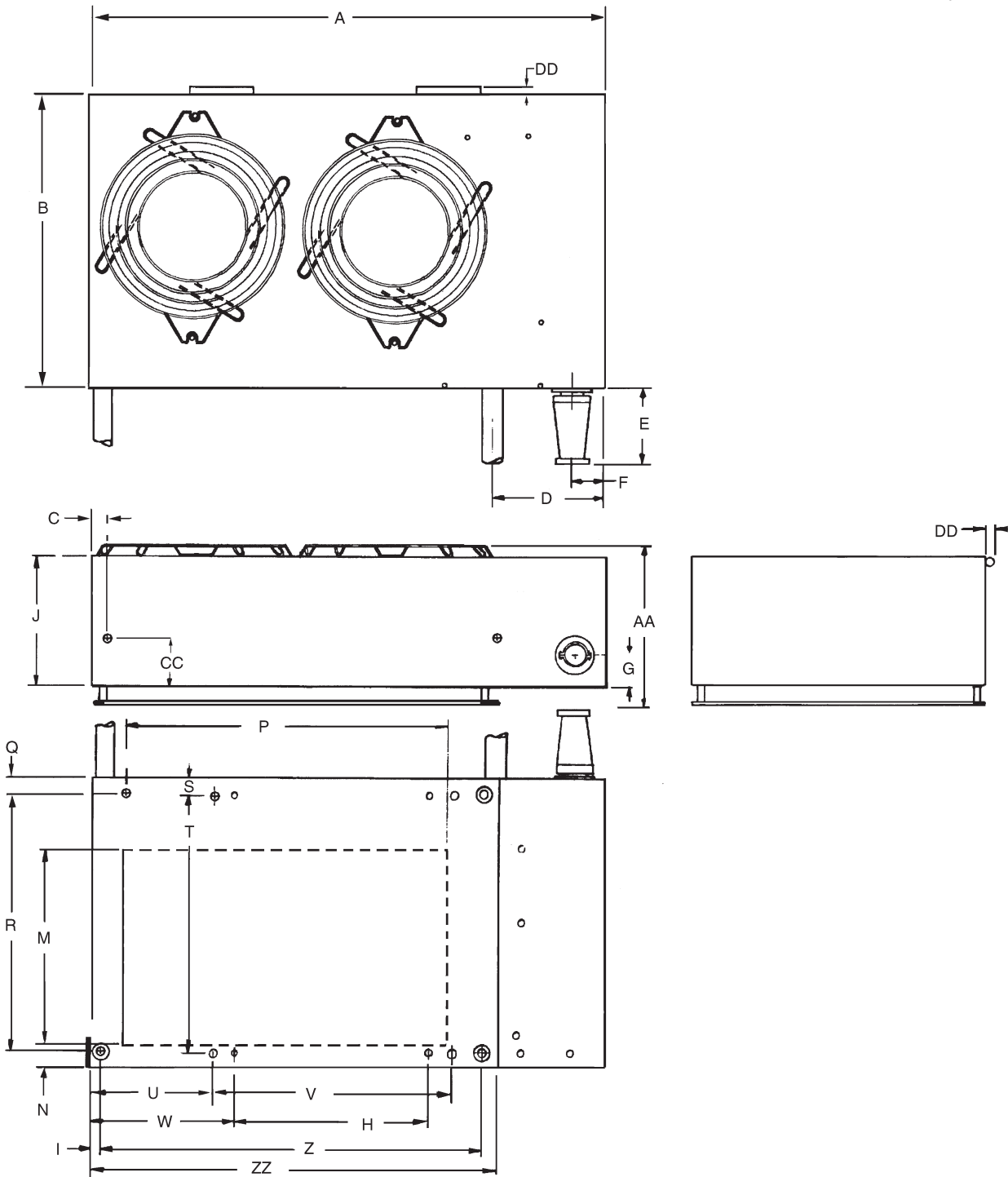
OIL LINES WITH QUICK DISCONNECT FITTINGS:

To prevent air in housing from oil line quick disconnect fittings observe the following procedures.

- A. Do not put side pressure on fittings from tie wrapping to cable bundles or coiling in tight circles.
- B. Do not put side pressure on fittings from tie wrapping to cable bundles or coiling in tight circles.
- C. When connecting fill the female end with oil and snap together rapidly.
- D. Do not run heat exchanger with fittings disconnected.
- E. **Always** return heat exchanger with x-ray tube regardless of reason for return.

Outline Drawing

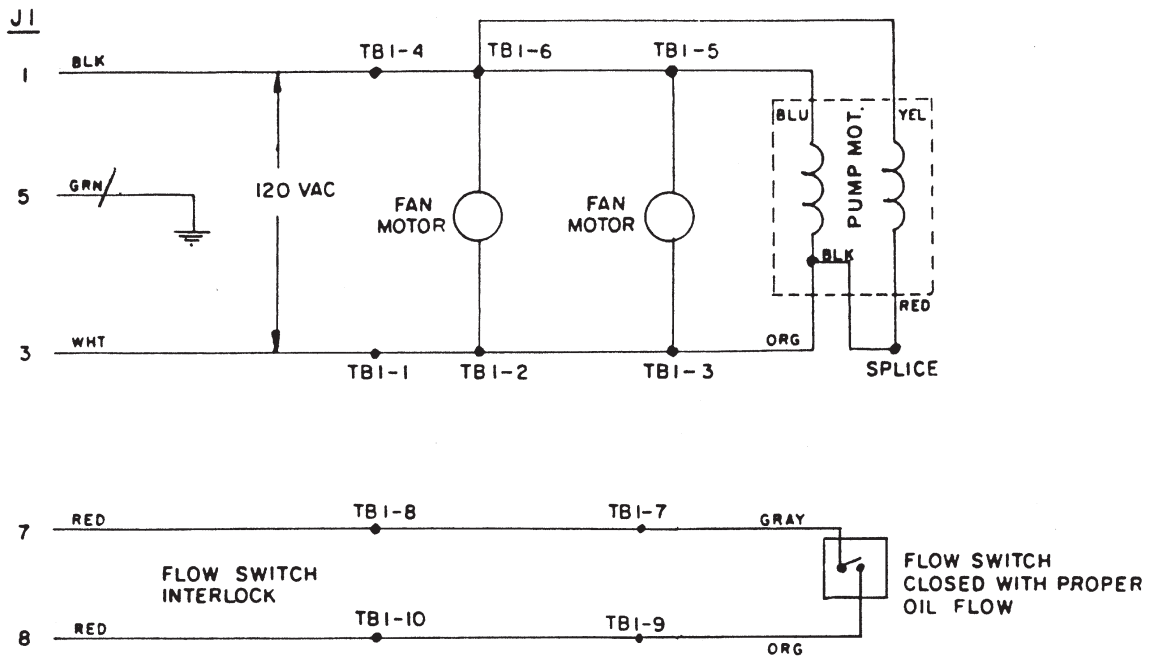
Dimensions are for reference only



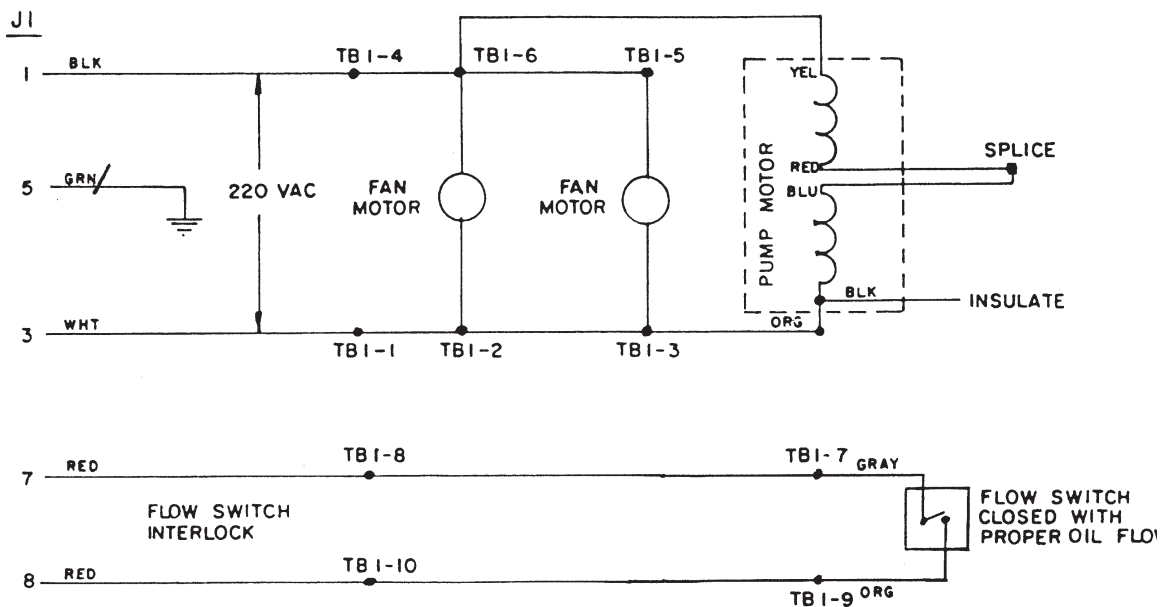
DIM	REF
A	16"
B	9 1/8"
C	1/2"
D	3 1/2"
E	2 1/8"
F	1"
G	7/8"
H	6"
I	3/8"
J	4 1/8"
M	6 1/4"
N	3/4"
O	1 1/4"
P	10 1/8"
Q	1 7/32"
R	7 11/16"
S	1/2"
T	8"
U	3 11/16"
V	7 3/8"
W	3/8"
Z	11 3/4"
AA	5 1/8"
CC	1 3/4"
DD	9/32"
ZZ	12 1/2"

Wiring Diagram

HE-300
120 VAC 50/60 Hz



HE-301
220 VAC 50/60 Hz



HE-300/301
OIL- AIR (ΔT) vs. COOLING RATE

115/230 VOLTS 60 Hz

