

Heat Exchanger (Water to Air)
Installation Information**DESCRIPTION:**

Heat Exchanger (water to air). For use with Oil to Water Heat Exchangers, HE-200/201, HE-420 or B-280H housings.

PERFORMANCE:

2.7 kW

Water Hoses: For use between HE-401 and Oil to Water Heat Exchangers.

The hoses are supplied with Quick Disconnects on each end. (Note - Quick Disconnects on HE-401 are not the same as used with Oil to Water Heat Exchanger. Orient hoses to each Heat Exchanger before installing the Hoses.)

IK-120 - 30 meters (98.4 feet)

IK-121 - 40 meters (131.2 feet)

POWER REQUIREMENTS:

50/60 Hz 200 - 230 VAC

Flow Switch - Normally Closed contacts with 0.5 gal/min water flow.

DIMENSIONS:

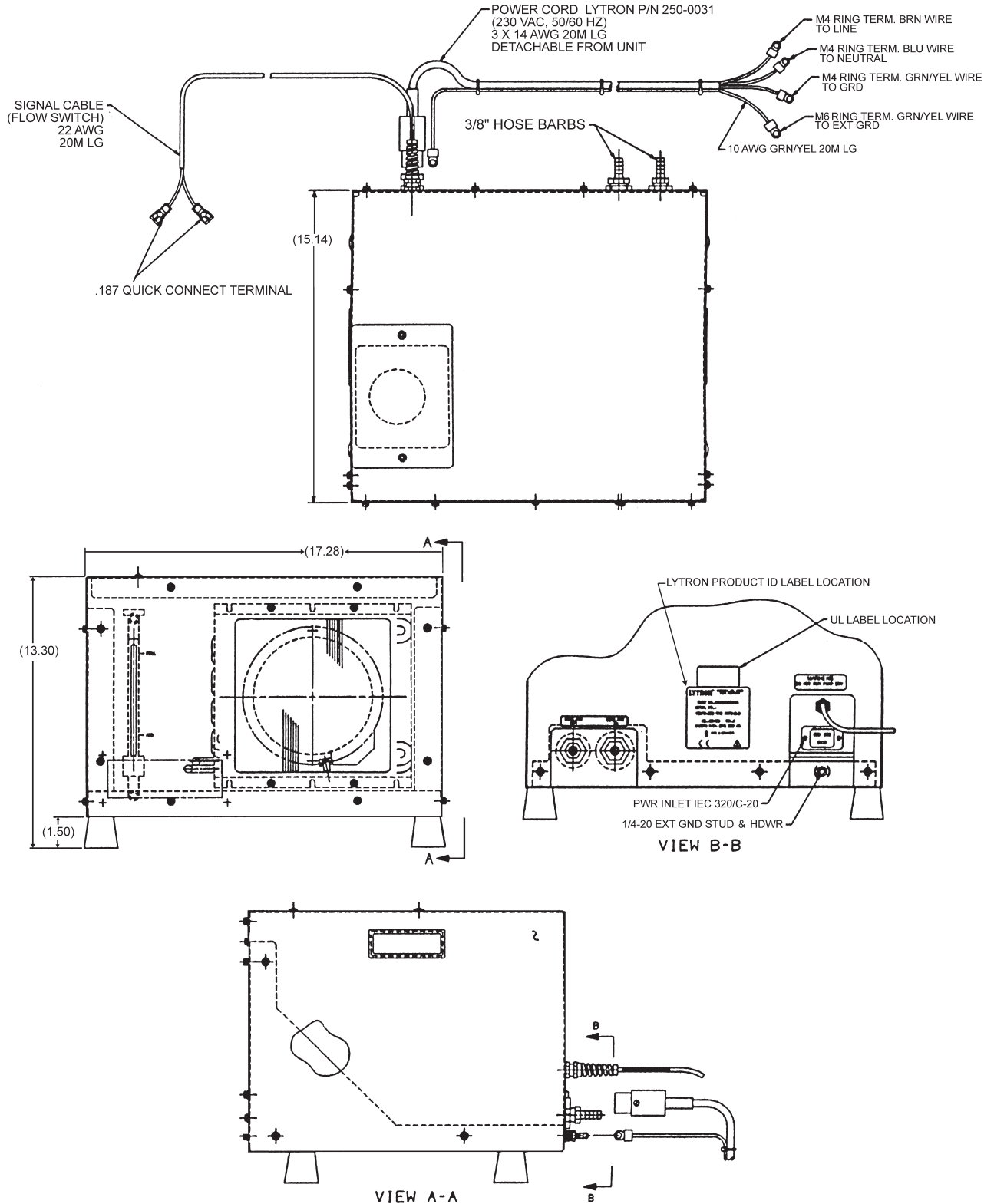
Width 15.14 inches (384 mm), Length 17.28 inches (439 mm), Height 13.3 inches (338 mm)

WEIGHT:

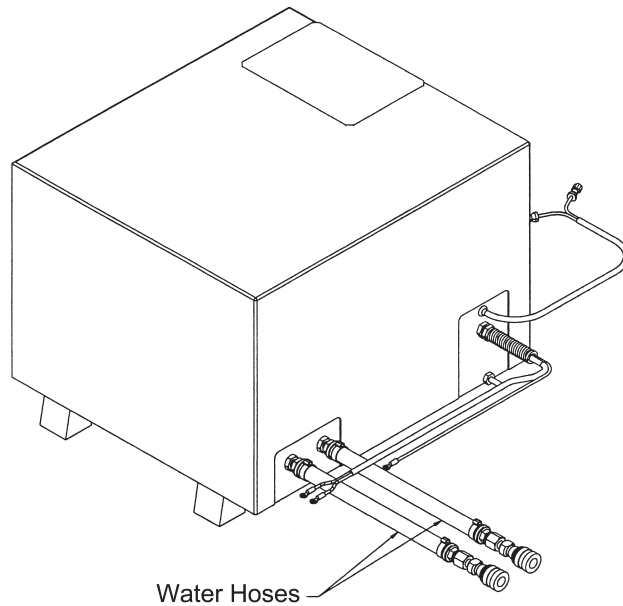
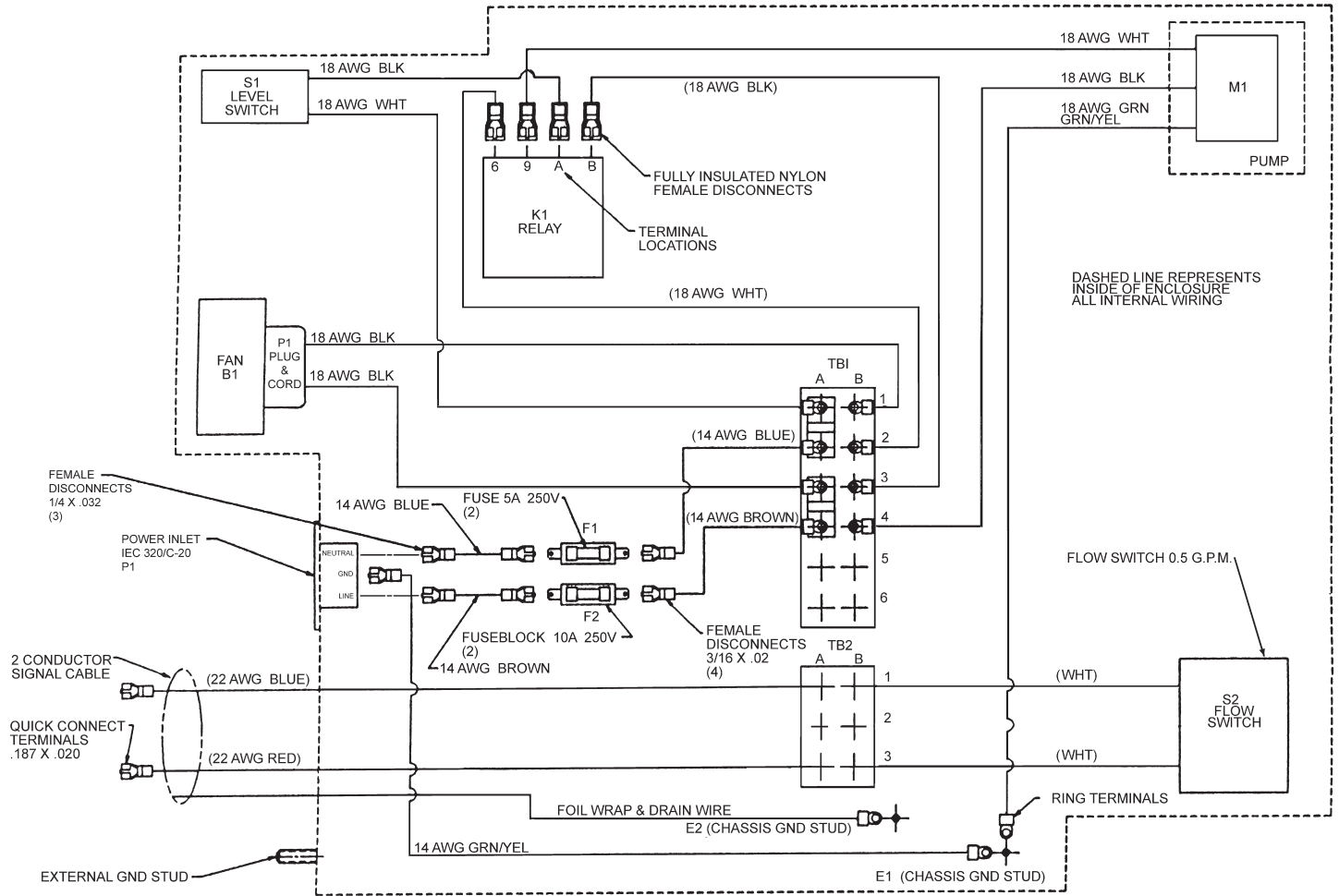
58 Pounds (26.4 kg)

Outline Drawing

Dimensions are for reference only



Wiring Diagram



Cooling Characteristics

