

**DESCRIPTION:**

Heat Exchanger (oil to air) with dual fan. For use with B-130, B-160, and B-180 housings.

Note: "A" designates 90° hose fittings.

PERFORMANCE:

4 kW with 50° Delta T (324,000 HU per minute). Refer to cooling chart for other Delta T ratings.

HOSE LENGTH:

30 inches (76 cm) minimum

40 feet (12.2 meters) maximum

POWER REQUIREMENTS:

HE-580 110 - 120 Vac 50/60 Hz 2.0 Amps

HE-581 220 - 230 Vac 50/60 Hz 1.1 Amps

FAIL SAFE DEVICES:

Flow Switch - normally open contacts.
Contacts closed with adequate oil flow

WEIGHT:

36 Pounds (16.5 kg)

MOUNTING:

Select mounting location where ambient temperature is low. Connect power cord to source that is energized whenever x-ray tube with heat exchanger is selected. Connect flow switch and thermal switch on housing in series with existing exposure interlocks.

CONNECTING OIL LINES WITH QUICK DISCONNECT FITTINGS:

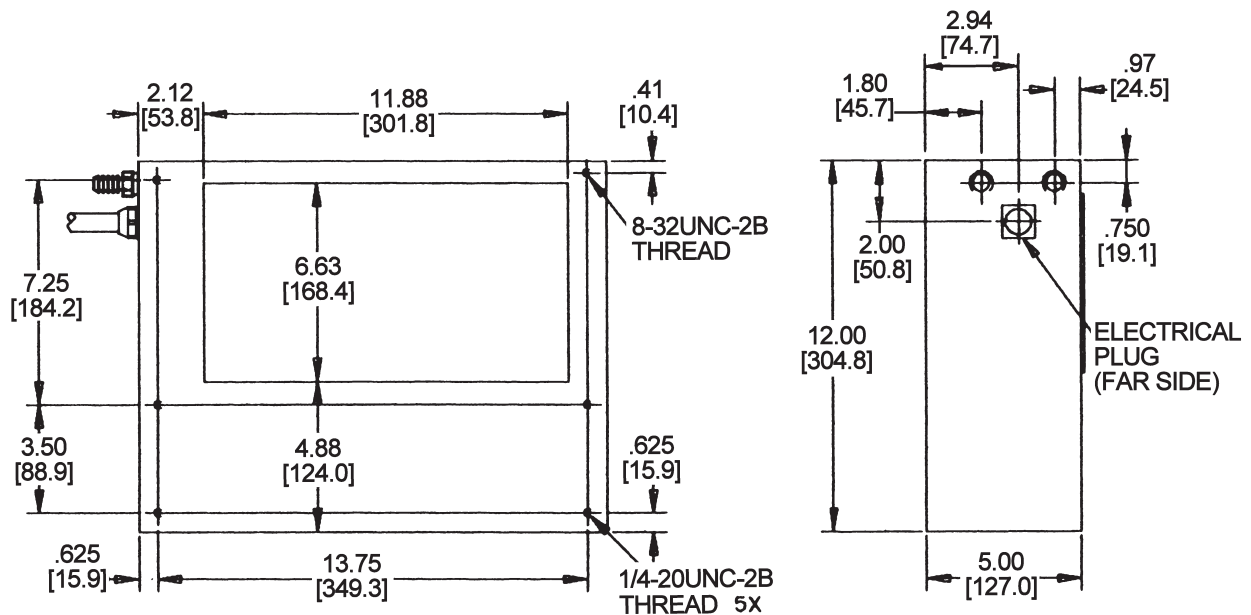
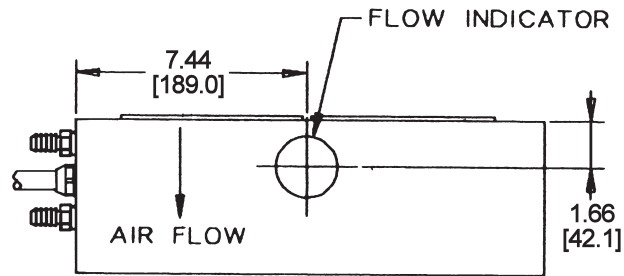
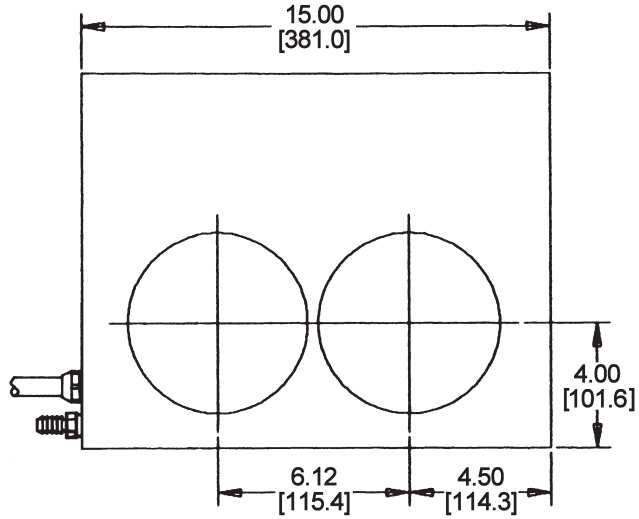
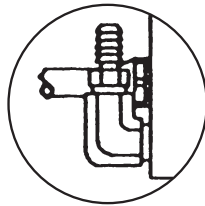
To prevent air in housing from oil line quick disconnect fittings observe the following procedures.

- A. Do not order quick disconnects fittings unless absolutely necessary.
- B. Do not put side pressure on fittings from tie wrapping to cable bundles or coiling in tight circles.
- C. Do not run heat exchanger with fittings disconnected.
- D. **Always** return heat exchanger with x-ray tube regardless of reason for return.

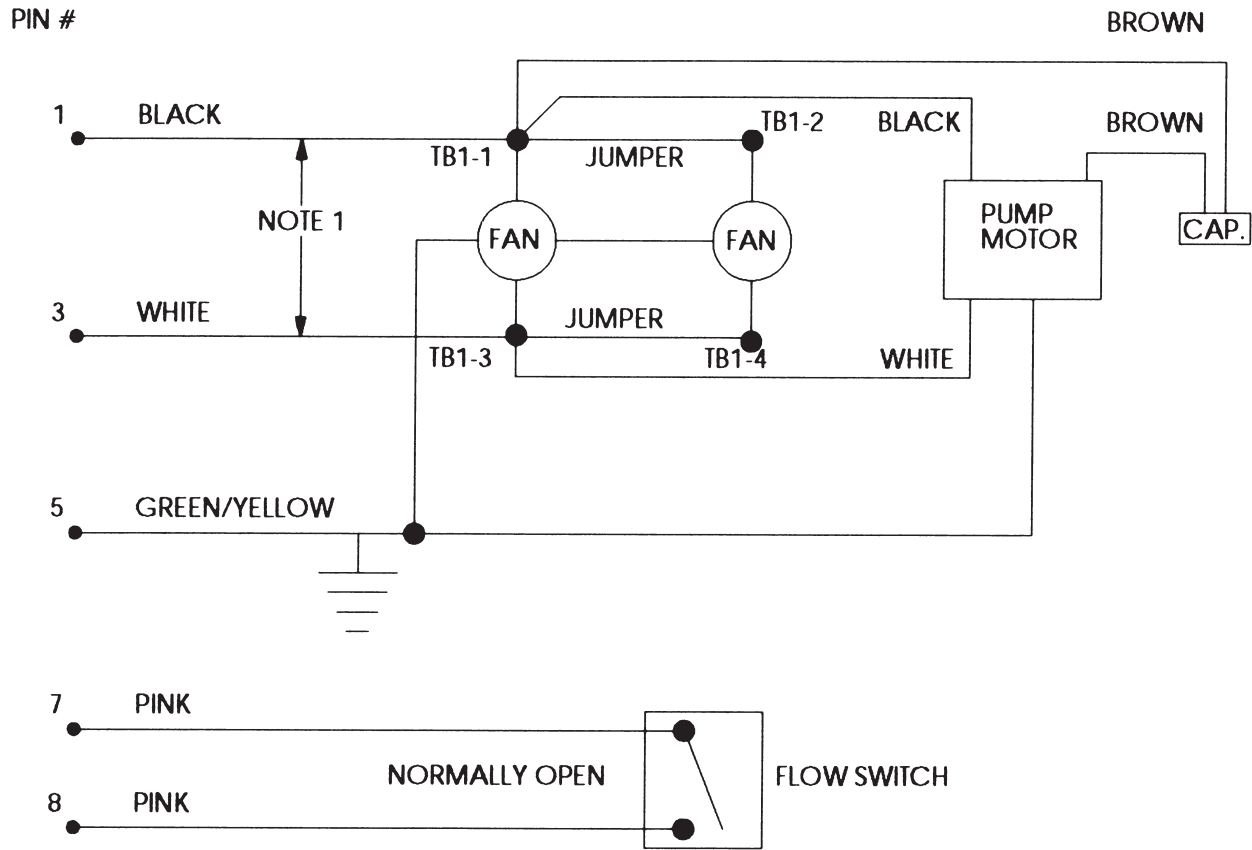
Outline Drawing

Dimensions are for reference only

Note: "A" designates 90° hose fittings.



Wiring Diagram



Note:
 HE-580 - 120 VAC
 HE-581 - 220 VAC

HE-580/581
OIL-AIR (ΔT) vs. COOLING RATE
 115/230 VOLTS 60 Hz

