



Note: Document originally drafted in the English language.
注释：文件最初用英语起草。

Product Description

产品说明

The B-121 housing is designed for Varex Imaging mammography inserts.

B-121 管套经设计，可用于万睿视影像乳腺放射成像管芯。

IEC Classification Class 1

IEC 分级： 1 类

Weight, Approximate:

近似重量：

Housing 9.3 kg (20.5 lbs ±0.5)

管套 9.3 kg (20.5 lbs ±0.5)

Stator Cord 4.5 m (14 Ft)

定子电缆 4.5 m (14 ft)

Mounting Port

安装 端口

Product Description	
Maximum Potential Difference	
Cathode to Ground	0 kV
Anode to Ground	39 - 49 kV
Grid Control Voltages: (If Applicable)	
Typical Bias Voltage for Focals	-5 to -100 Vdc
Housing Heat Storage Capacity	370 kJ (500 kHU)
Nominal Continuous Input Power	300 Watts (405 HU/sec) IEC 60613:2010
Maximum Housing Temperature	78°C
X-Ray Tube Assembly	
Permanent Filtration	0.63 mm Be IEC 60522/1999
Leakage Technique Factors	49 kV, 6.0 mA
Cable Receptacles	Non Federal Standard 55 kV - Rating
Thermal Switch	normally closed Rating - 10 A @ 240Vac
Open	79.4°C ±3.9°C (175°F ±7°F)
Ambient Air Temperature Limits for Operation	5°C to 40°C
Temperature Limits for Storage and Transportation	-10°C to 75°C
Humidity	+10% to +90%
Atmospheric Pressure Range	70 kPa to 106 kPa
X-Ray Tube Assembly (Complies to)	IEC 60601-2-28

产品说明	
最大电位差值	
阴极到地	0 kV
阳极到地	39 - 49 kV
栅极控制电压：（如果适用）	
典型焦点偏压	-5 到 -100Vdc
管套热容量	370 kJ (500 kHU)
标称持续输入功率	300 Watts (405 HU/sec) IEC 60613:2010
最大管套温度	78°C
X 射线管组件：	
固有滤过	0.63 mm Be IEC 60522/1999
泄漏测试条件	49 kV, 6.0 mA
电缆插座	非联邦标准 55 kV - 额定
热控开关	正常闭合 额定 - 10 A @ 240Vca
打开	79.4°C ±3.9°C (175°C ±7°C)
环境气温工作限值	5°C 到 40°C
存储与运输温度限值	-10°C 到 75°C
湿度	10% 到 90%
大气压范围	70 kPa 到 106 kPa
X 射线管组件（符合）	IEC 60601-2-28

注释:

1. 标准端口轴套尺寸
米制 M6 X 1.0 经请求可用
2. **PORT BOSS DIMENSION**
端口轴套尺寸

For Determining Focal Spot to Port Distance
确定焦点与端口之间的距离

M-101, M-101G, M-107, M-131, M-141, M-141G, M-143, RAD-85S

标准/米制端口轴套
DIM. F = 2.97 INCHES [75.4mm]
DIM. I = 1.85 INCHES [47mm]

扩展端口轴套
DIM. F = 3.20 INCHES [81.3mm]
DIM. I = 2.08 INCHES [52.8mm]

M-145, M-147, M-147SP

标准/米制端口轴套
DIM. F = 2.97 INCHES [75.4mm]
DIM. I = 1.74 INCHES [44.2mm]

扩展端口轴套
DIM. F = 3.20 INCHES [81.3mm]
DIM. I = 1.97 INCHES [50.0mm]

M-105SP, M-109, M-149

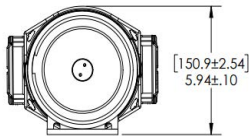
标准/米制端口轴套
DIM. F = 2.97 INCHES [75.4mm]
DIM. I = 1.66 INCHES [42.2mm]

扩展端口轴套
DIM. F = 3.20 INCHES [81.3mm]
DIM. I = 1.89 INCHES [48mm]

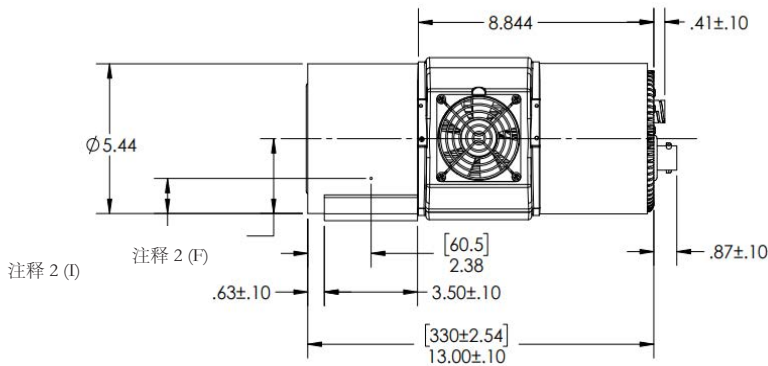
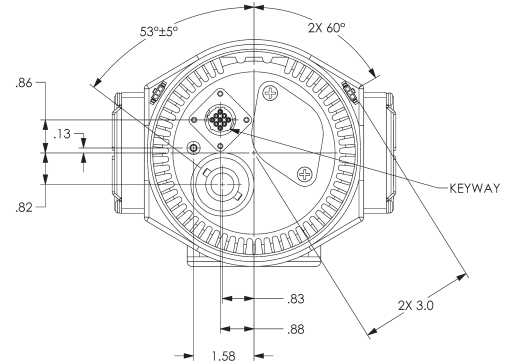
BIANGULAR INSERTS 双角管芯
M-103T, M-113 Series, M-171

标准/米制端口轴套
DIM. F = 2.97 INCHES [75.4mm]
DIM. I = 参考图画

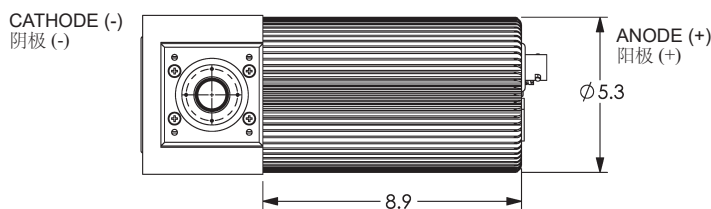
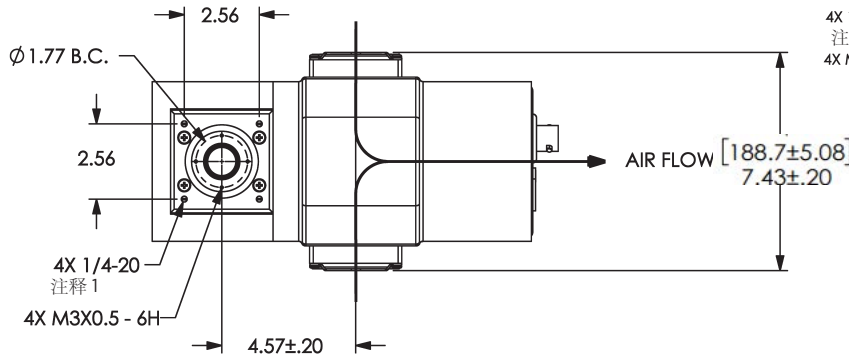
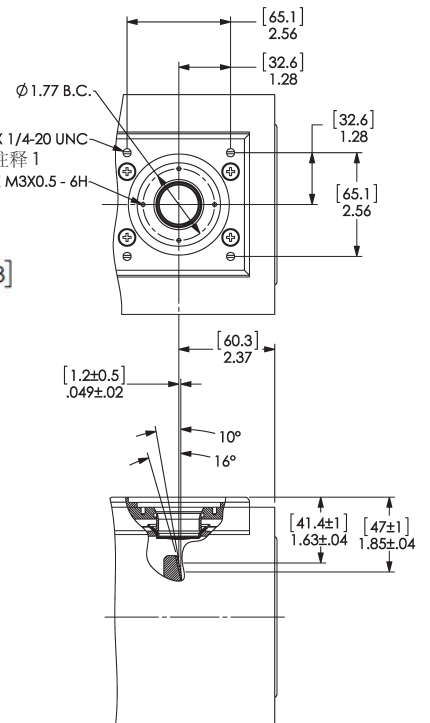
扩展端口轴套
DIM. F = 3.20 INCHES [81.3mm]
DIM. I = 参考图画

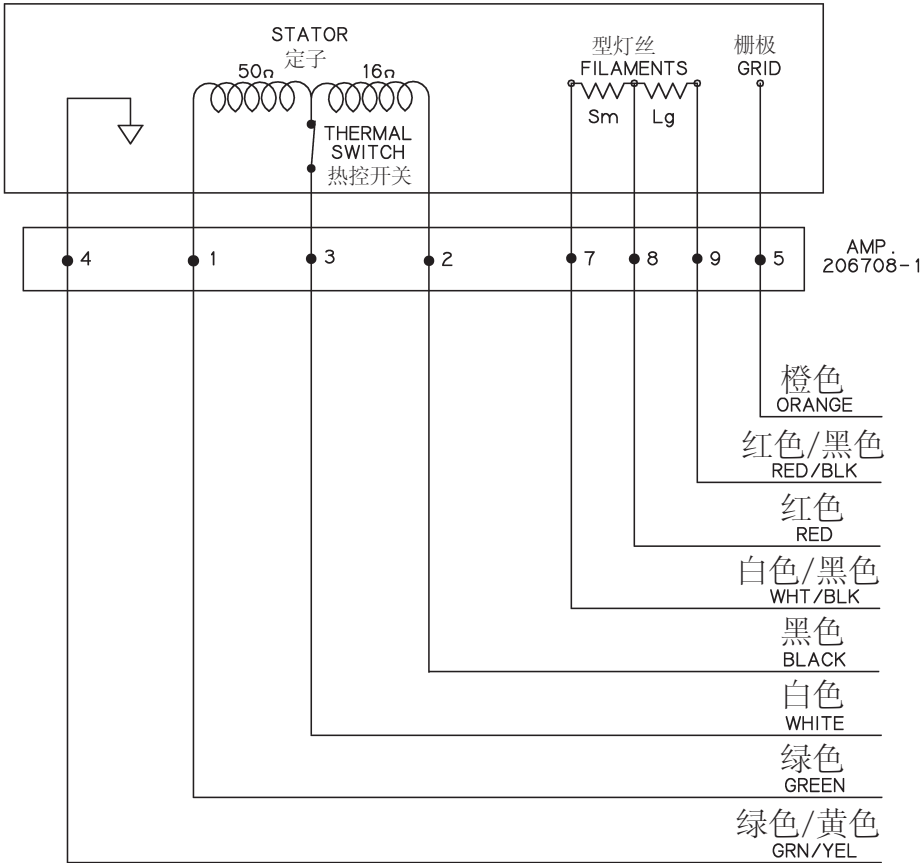


Note: Dimensions in Inches
注释: 尺寸 (英寸)

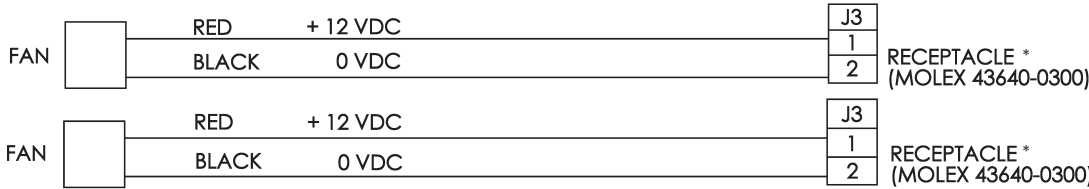


BIANGULAR INSERTS





Wire Color 导线颜色	Description 描述
1 Green 绿色	Phase Shift 相移
2 Black 黑色	Phase 相
3 White 白色	Common 公共
4 Green/Yellow 绿色/黄色	Housing Ground 管套接地线
5 Orange 橙色	Grid 栅极
7 White/Black 黑/白	Small Filament 小型灯丝
8 Red 红色	Common Filament 普通灯丝
9 Red/Black 红色/黑色	Large Filament 大型灯丝



* Cables with flying leads included

“STD” Stators	“STD” 定子	
Black/White	黑色—白色	16 Ω
Black/Green	黑色—绿色	66 Ω
Green/White	绿色—白色	50 Ω
180 Hz Cap	180 Hz 电容	6 μF
60 Hz Cap	60 Hz 电容	30 μF

Stator Drive Frequency 定子驱动频率	RPM
50 Hz	2800 - 3000
60 Hz	3400 - 3600
150 Hz	8500 - 9000
180 Hz	9500 - 10,800

Stator Power:
Time to full speed of the anode is a function of the power rating of the “starter” and the weight/diameter of the anode. All Varex Imaging stator types are rated for regular speed and high speed starters. Time to full speed of 71mm and 77mm anode series tubes is between 1.3 and 2.0 seconds.

Immediately following high speed anode rotation, the rotor speed must be reduced to 4000 r/min or less within 10 seconds using a suitable dynamic braking device.

No more than two high speed starts per minute are permissible.

Starter:	Start	Run
50/60 Hz	115 VAC	45 VAC
150/180 Hz	230 VAC	90 VAC

NOTE:
For non gridded operation connect Grid Pin (Pin 5) to Filament Common (Pin 8).

定子功率:
阳极达到全速的时间是“启动器”的额定功率以及阳极重量和直径的函数。万睿视影像所有型号的定子都按常速和高速启动器进行了检定。
71mm和77mm阳极系列管达到全速的时间在1.3到2.0秒之间。

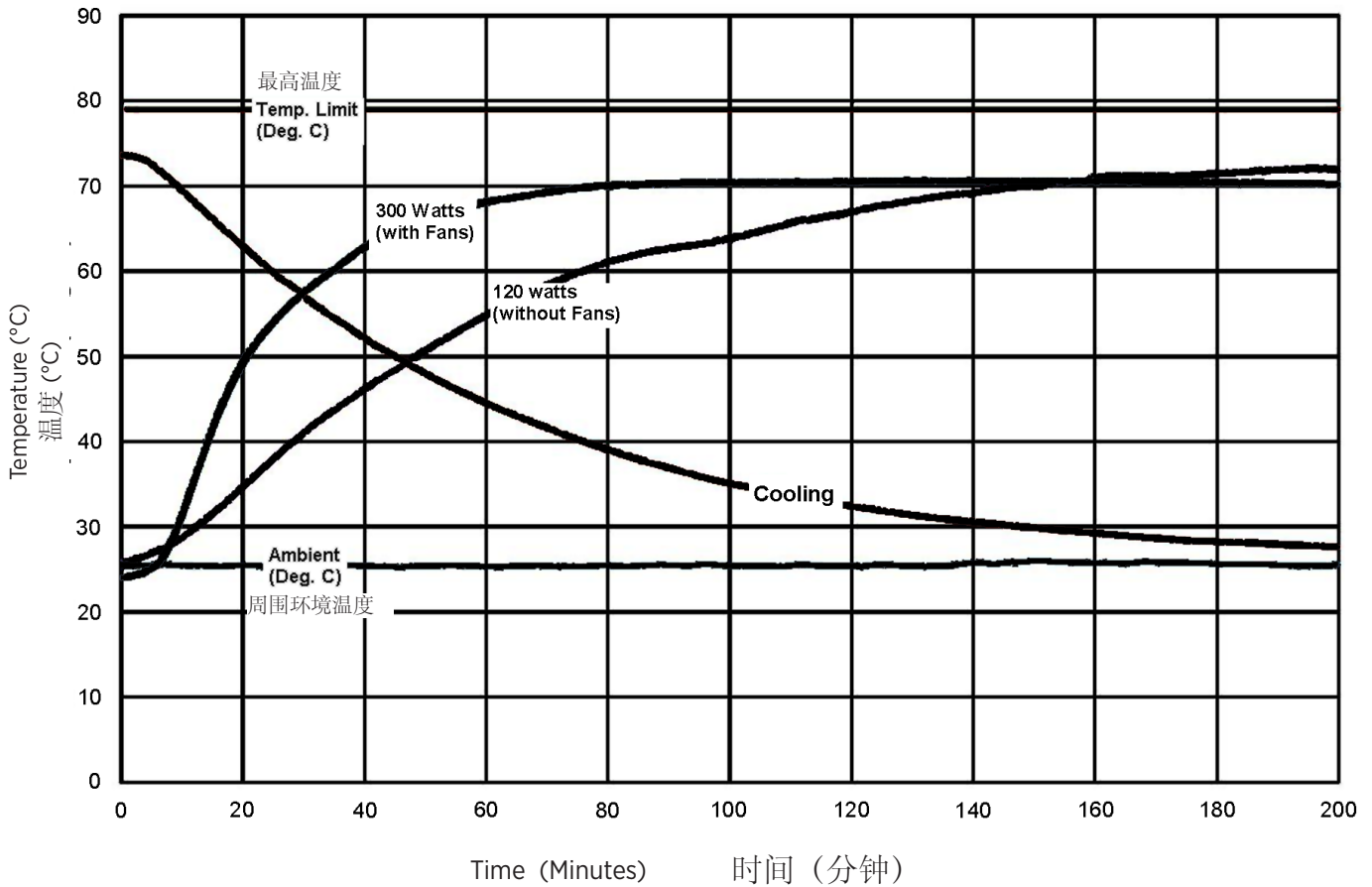
高速阳极旋转后，转子的速度必须立即下降到4000转/分钟，或使用合适的电动制动装置在10秒内减速。

每分钟不允许有两次以上的高速启动。

启动器:	启动	运行
50/60 Hz	115 VAC	45 VAC
150/180 Hz	230 VAC	90 VAC

注释:
对于非栅极化操作，请将栅极针（针 5）与普通灯丝（针 8）连接。

X-Ray Tube Assembly Heating and Cooling Curves
X射线管组件加热/冷却



Note:
Heat inputs into housing include tube power, filament power, and stator power. Heating curves based on no restrictions of natural convection around tube housing assembly.

注释:
向管套的热量输入包括管功率、灯丝功率和定子功率。加热曲线以管套组件周围无自然对流的限制为根据。



Salt Lake City, UT 1-801-972-5000

有关我们全球办事处的完整列表,
访问www.vareximaging.com

Manufactured by Varex Imaging Corporation
由万睿视影像有限公司生产

Specifications subject to change without notice.
规格如有更改, 恕不另行通知。